

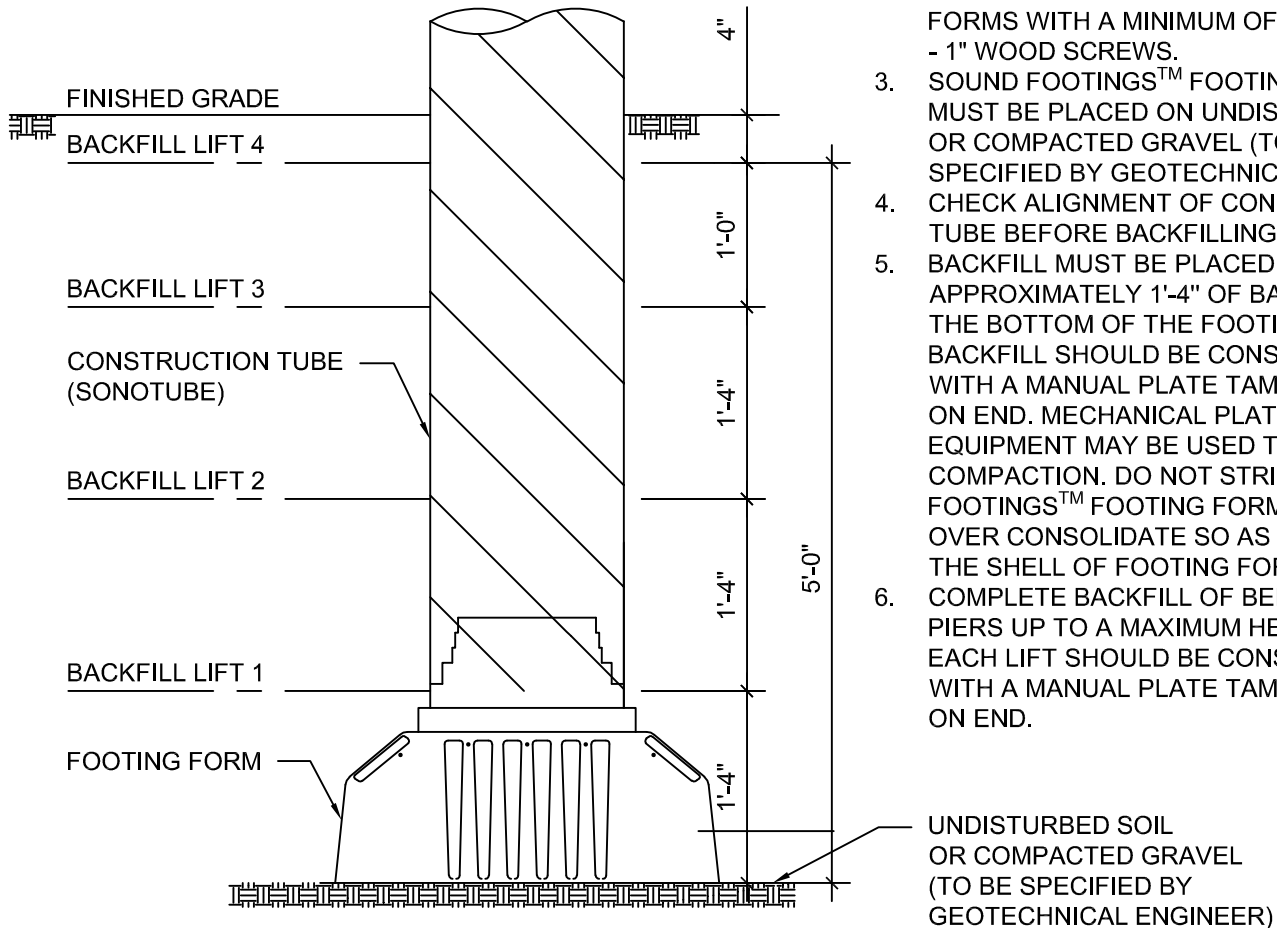
NOTES:

1. ALL WORK MUST CONFORM WITH THE CURRENT INTERNATIONAL BUILDING CODE (IBC).
2. ALL CONTRACTORS MUST VERIFY THE CONDITIONS AND DIMENSIONS AT THE SITE BEFORE STARTING WORK. INFORM ENGINEER OF ANY DISCREPANCIES IMMEDIATELY.
3. TEMPORARY SUPPORTS ARE NOT INDICATED ON THESE DRAWINGS AND ARE THE RESPONSIBILITY OF THE CONTRACTOR PERFORMING THE WORK. HE SHALL ENGAGE AN ENGINEER FOR THIS PURPOSE, AS APPLICABLE.

IMPORTANT: FOOTINGS THAT ARE NOT INSTALLED BELOW THE FROST LEVEL ARE SUBJECT TO FROST HEAVING, AND MUST BE ACCOUNTED FOR IN FINAL DESIGN CONCEPT.

NOTES: BELOW GRADE APPLICATION

1. THE TOTAL COMBINED HEIGHT OF SOUND FOOTINGS™ FOOTING FORM MUST NOT EXCEED 13'-0".
2. SCREW CONSTRUCTION TUBE TO FOOTING FORMS WITH A MINIMUM OF FOUR (4) 3/4" - 1" WOOD SCREWS.
3. SOUND FOOTINGS™ FOOTING FORMS MUST BE PLACED ON UNDISTURBED SOIL OR COMPACTED GRAVEL (TO BE SPECIFIED BY GEOTECHNICAL ENGINEER).
4. CHECK ALIGNMENT OF CONSTRUCTION TUBE BEFORE BACKFILLING.
5. BACKFILL MUST BE PLACED UP TO LIFT 1, APPROXIMATELY 1'-4" OF BACKFILL FROM THE BOTTOM OF THE FOOTING FORM. BACKFILL SHOULD BE CONSOLIDATED WITH A MANUAL PLATE TAMPER OR A 2"x4" ON END. MECHANICAL PLATE COMPACTION EQUIPMENT MAY BE USED TO FACILITATE COMPACTION. DO NOT STRIKE SOUND FOOTINGS™ FOOTING FORM. DO NOT OVER CONSOLIDATE SO AS TO DISTORT THE SHELL OF FOOTING FORM.
6. COMPLETE BACKFILL OF BELOW GRADE PIERS UP TO A MAXIMUM HEIGHT OF 5'-0". EACH LIFT SHOULD BE CONSOLIDATED WITH A MANUAL PLATE TAMPER OR A 2"x4" ON END.



SOUND FOOTINGS SF-32 FOOTING FORM BELOW GRADE APPLICATION

1
S800

3/4" = 1'-0"



HARDY
STRUCTURAL ENGINEERING

875 roosevelt hwy, suite 130, colchester, vt 05446
phone: (802) 655.0755 fax: (802) 655.2696
www.hardyse.com

SOUND FOOTINGS FOOTING DETAIL

SOUND FOOTINGS, LLC

DATE: 03/29/2019

DWG NUMBER:

S800

